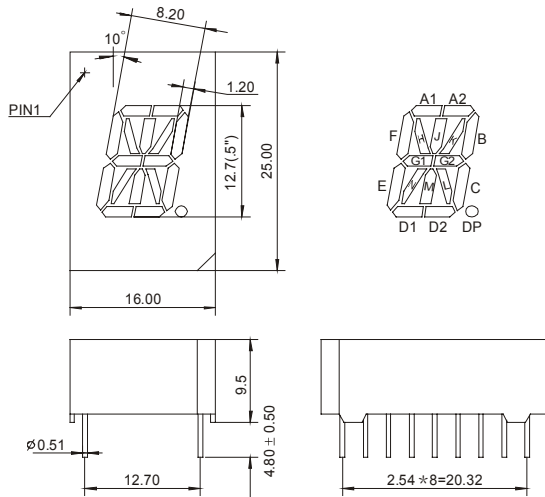


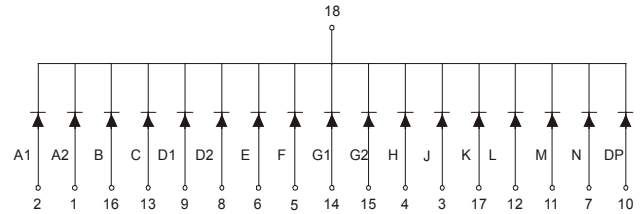


MCD-5013Cx-Dx (SINGLE DIGIT LED DISPLAY)

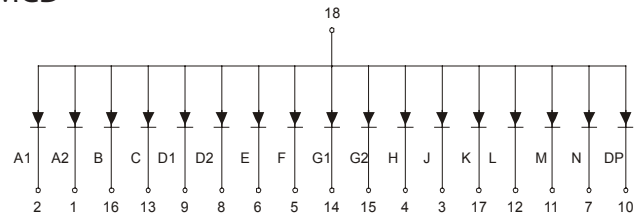
MCD-5013 Series



MCD-5013Cx



MCD-5013Dx



Features:

- *0.50 INCH HIGH CHARACTER.
- *EXCELLENT CHARACTER APPEARANCE.
- *COMMON CATHODE OR COMMON ANODE.
- *I.C. COMPATIBLE.
- *LOW POWER CONSUMPTION.

Part Number	EMITTED COLOR		Common Cathode or Common Anode	Peak Wavelength (nm)	Vf (v) Typ	If (mA)	Intensity Per Segment (mcd)	
							Min.	Typ.
MCD 5013CE	GaAsP/GaP	Hi.effi Red	Common Cathode	635	2.0	20	9	12
MCD 5013CG	GaP	Green		565	2.1	20	8	11
MCD 5013CY	GaAsP/GaP	Yellow		585	2.0	20	9	12
MCD 5013CS	GaAlAs	Super Red		660	1.8	20	10	13
MCD 5013CD	GaAlAs	Ultra Red		660	1.8	20	25	30
MCD 5013CUE	AlGalnP	Ultra Red		625	2.0	20	30	35
MCD 5013CUY	AlGalnP	Ultra Yellow		590	2.0	20	30	35
MCD 5013DE	GaAsP/GaP	Hi.effi Red	Common Anode	635	2.0	20	9	12
MCD 5013DG	GaP	Green		565	2.1	20	8	11
MCD 5013DY	GaAsP/GaP	Yellow		585	2.0	20	9	12
MCD 5013DS	GaAlAs	Super Red		660	1.8	20	10	13
MCD 5013DD	GaAlAs	Ultra Red		660	1.8	20	25	30
MCD 5013DUE	AlGalnP	Ultra Red		625	2.0	20	30	35
MCD 5013DUY	AlGalnP	Ultra Yellow		590	2.0	20	30	35